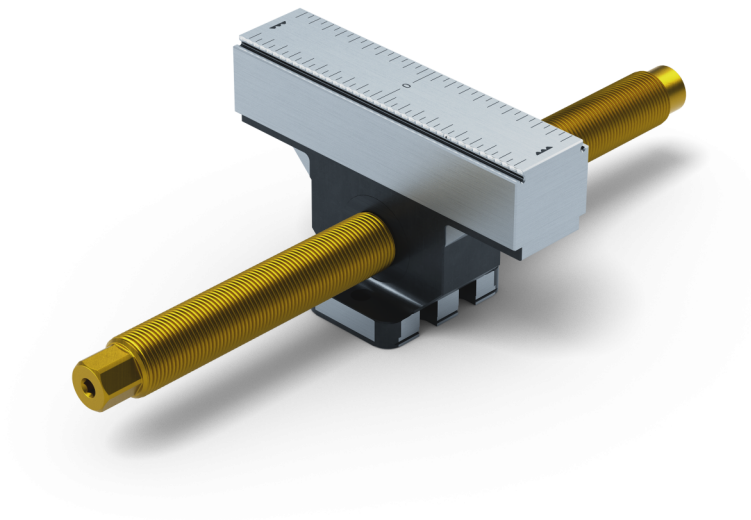


Makro-Grip® FS 125, Center Jaw + Spindle

jaw width 125 mm, jaw thickness 27 mm, spindle length 264 mm

Item No. 48255-TG2527 FS



Spindle length	264 mm (10.39")
Clamping range	2 x 110 mm (4.33")
Thread pitch	M20 x 1.5
Dimensions	Jaw width: 125 mm (4.92")
Workpiece shape	prismatic
Packaging Unit	1 Piece
Weight	1.99 kg (4.39 lbs)
Material	Steel

Makro-Grip® FS 125, Center Jaw + Spindle

jaw width 125 mm, jaw thickness 27 mm, spindle length 264 mm

Item No. 48255-TG2527 FS

