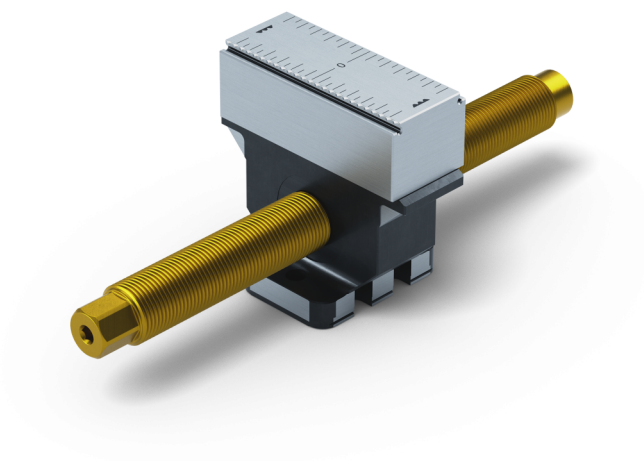


Makro-Grip® FS 125, Center Jaw + Spindle

jaw width 77 mm, jaw thickness 27 mm, spindle length
214 mm

Item No. 48205-TG7727 FS



| | |
|------------------------|--------------------------|
| Spindle length | 214 mm (8.43") |
| Clamping range | 2 x 85 mm (3.35") |
| Thread pitch | M20 x 1.5 |
| Dimensions | Jaw width: 77 mm (3.03") |
| Workpiece shape | prismatic |
| Packaging Unit | 1 Piece |
| Weight | 1.5 kg (3.31 lbs) |
| Material | Steel |

Makro-Grip® FS 125, Center Jaw + Spindle

jaw width 77 mm, jaw thickness 27 mm, spindle length
214 mm

Item No. 48205-TG7727 FS

