

Makro-Grip® Micro 46, 5-Axis Vise

Jaw width 46 mm, Clamping range 0 - 65 mm

Item No. 48040-46

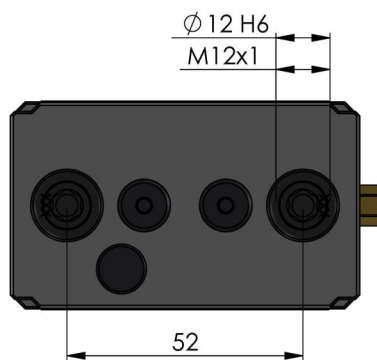
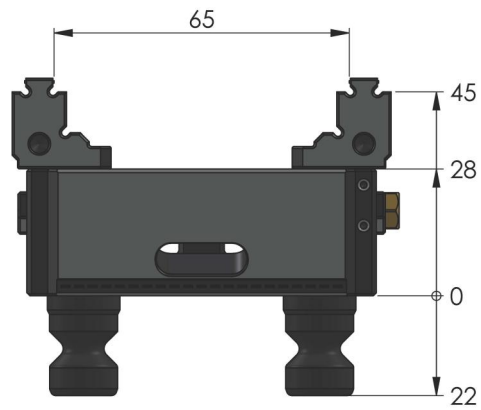


Clamping range	0 - 65 mm (0" - 2.56")
Dimensions	77 x 46 x 48 mm (3.03" x 1.81" x 1.89")
Clamping method	by form-fit / by friction
Workpiece shape	prismatic
Packaging Unit	1 Piece
Weight	0.81 kg (1.79 lbs)
Material	Steel

Makro-Grip® Micro 46, 5-Axis Vise

Jaw width 46 mm, Clamping range 0 - 65 mm

Item No. 48040-46



Makro-Grip® Micro 46, 5-Axis Vise

Jaw width 46 mm, Clamping range 0 - 65 mm

Item No. 48040-46

