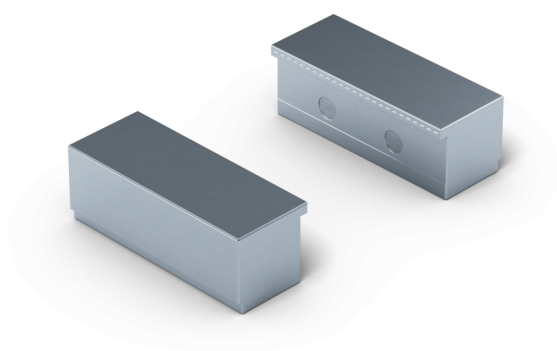


Makro-Grip® 77, Contour Jaws

jaw width 77 mm, for the inner side

Item No. 48409-77

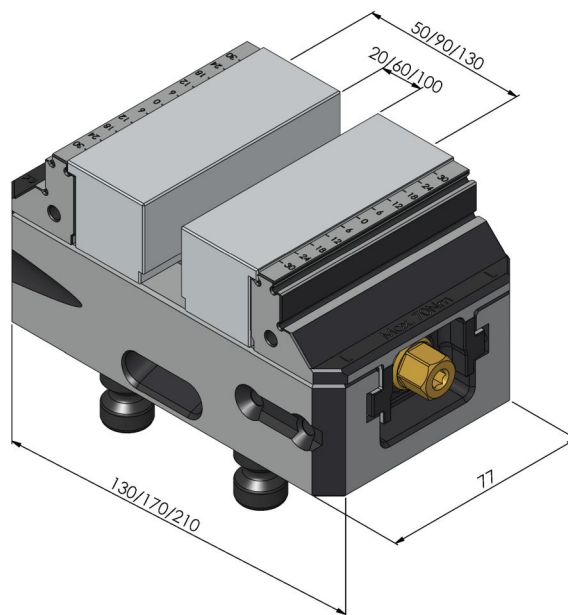
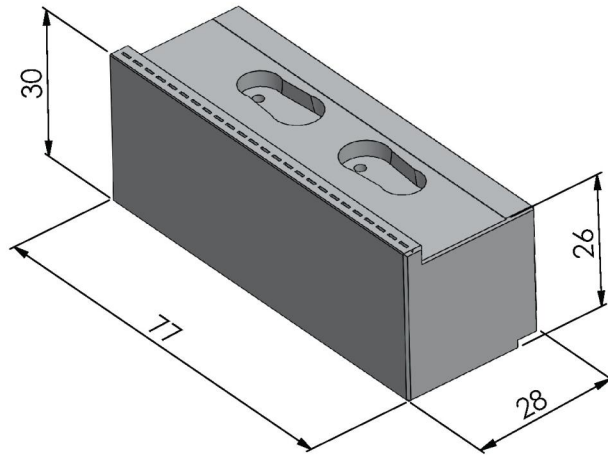


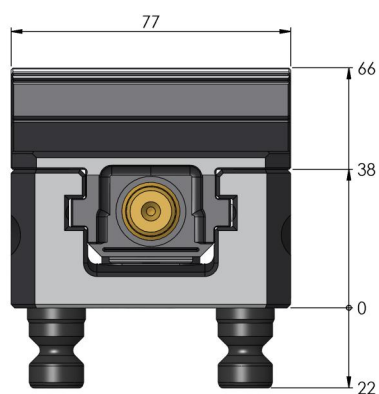
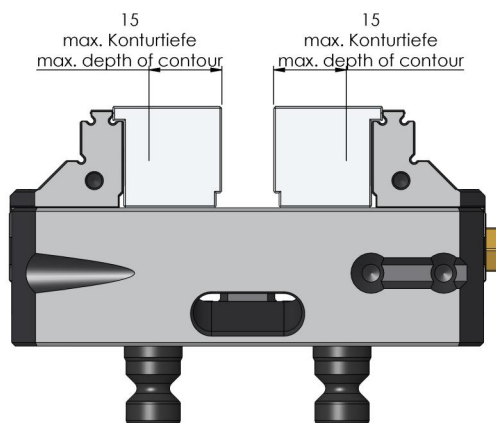
Dimensions	Jaw width: 77 mm (3.03") - Jaw length: 28 mm (1.1") - Jaw height: 26 mm (1.02")
Workpiece shape	prismatic / cylindrical / asymmetrical
Packaging Unit	1 Pair
Weight	0.33 kg (0.73 lbs)
Material	Aluminium

Makro-Grip® 77, Contour Jaws

jaw width 77 mm, for the inner side

Item No. 48409-77

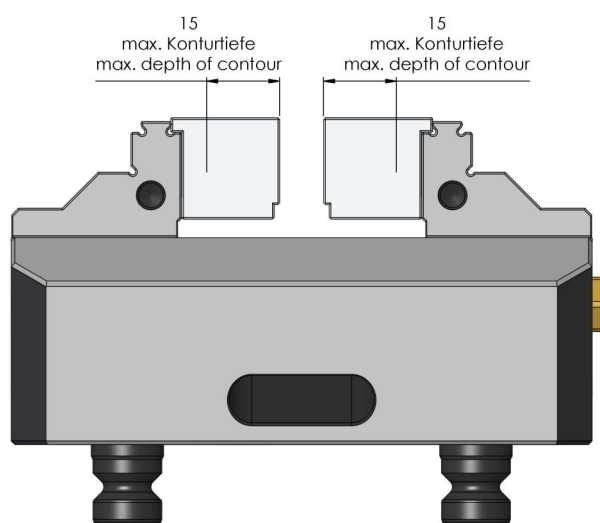
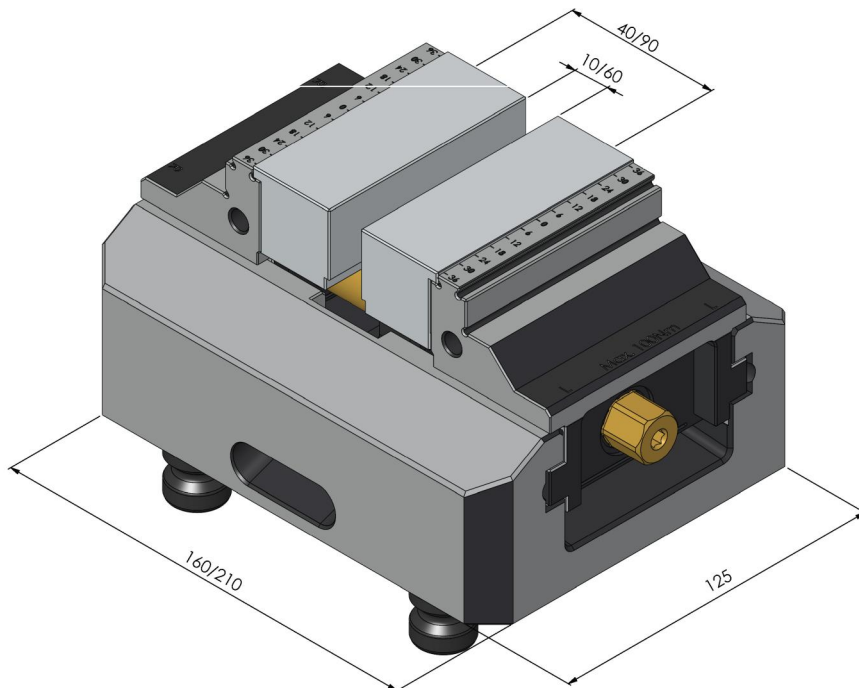


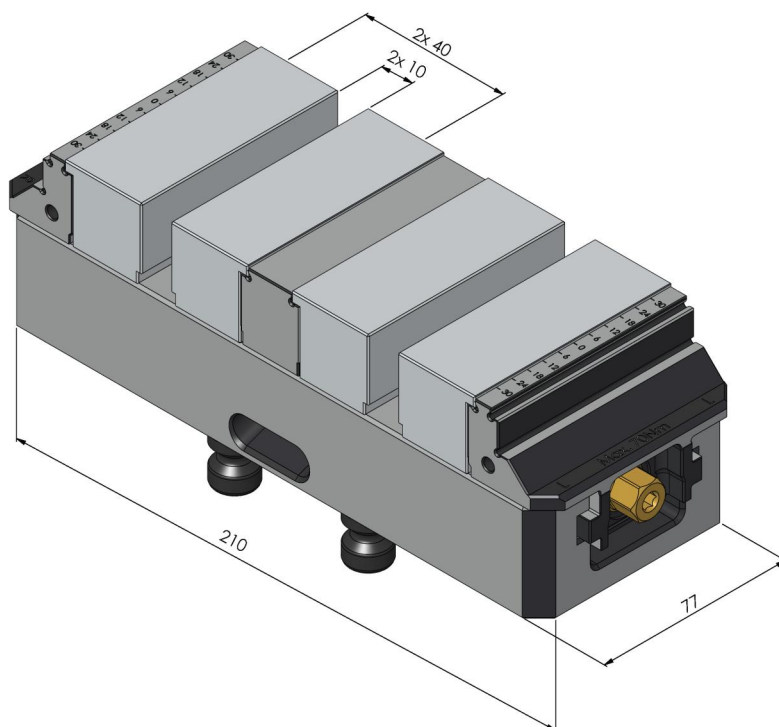
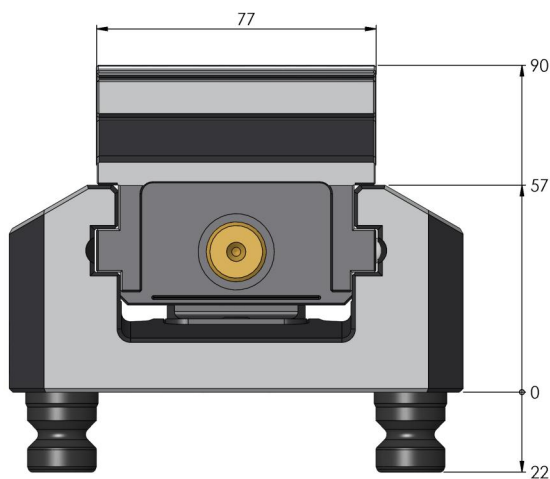


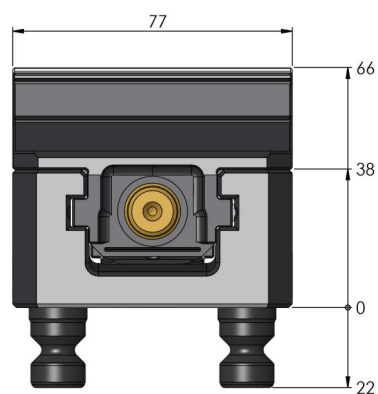
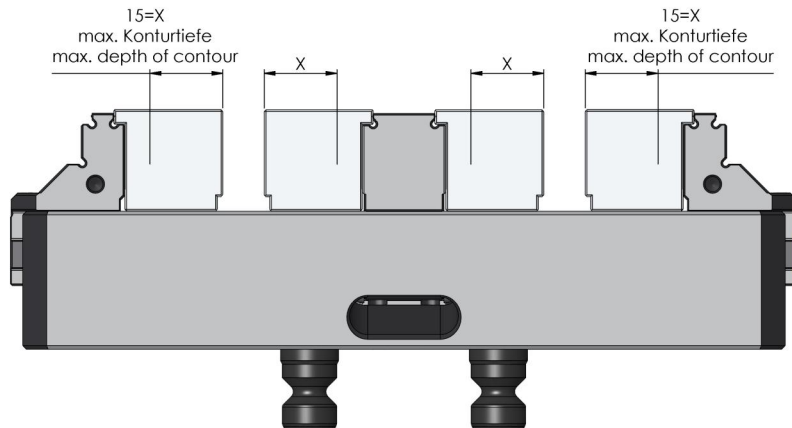
Makro-Grip® 77, Contour Jaws

jaw width 77 mm, for the inner side

Item No. 48409-77



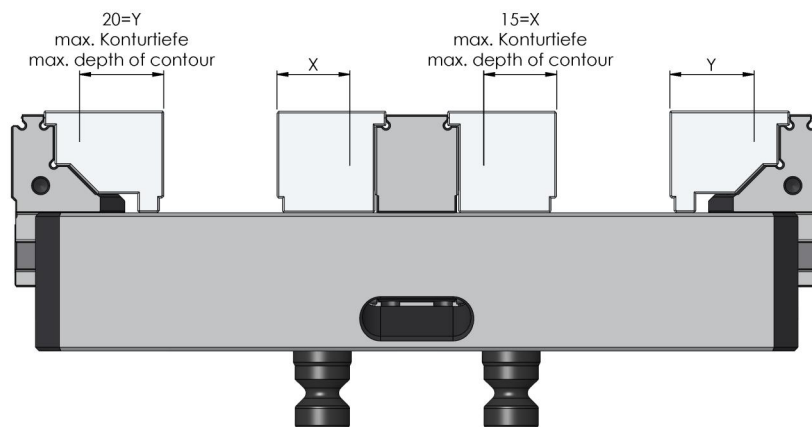
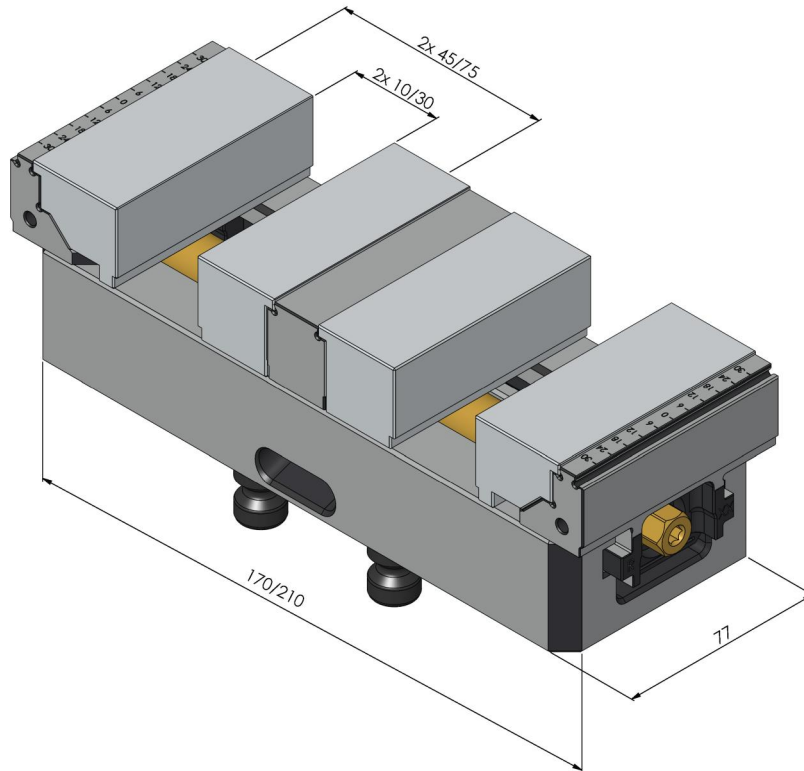




Makro-Grip® 77, Contour Jaws

jaw width 77 mm, for the inner side

Item No. 48409-77



Makro-Grip® 77, Contour Jaws

jaw width 77 mm, for the inner side

Item No. 48409-77

