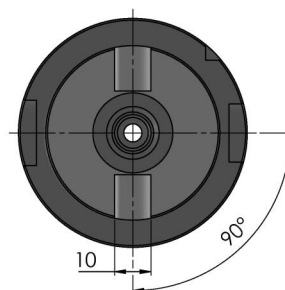
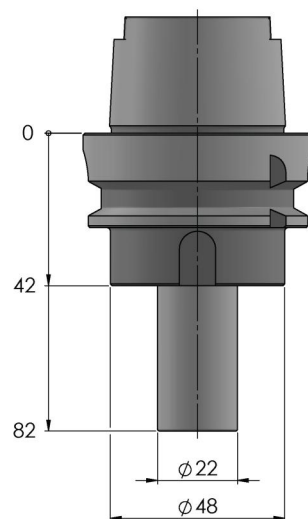


<b>Type</b>	Hollow taper shank
<b>Tool length</b>	ca. 247 mm (ca. 9.72")
<b>Packaging Unit</b>	1 Piece
<b>Weight</b>	0.92 kg (2.03 lbs)
<b>Material</b>	Steel



HAUBEX, Tool Holder

# HSK-A63

Item No. 61500-HSK63

