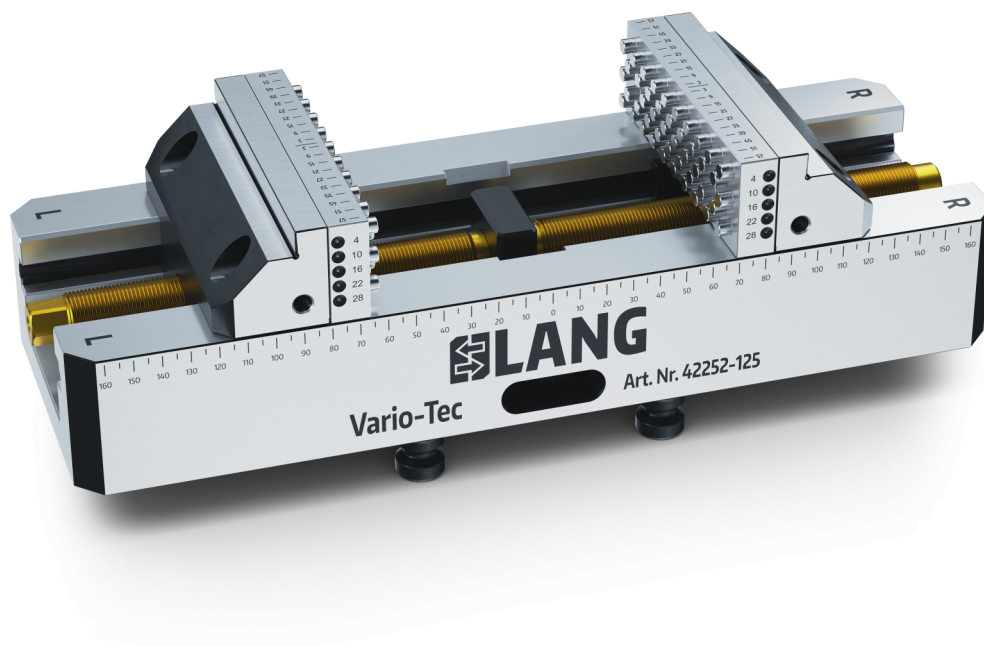


## Vario-Tec 125, Centering Vice

jaw width 125 mm, max. clamping range 250 mm

Item No. 42252-125

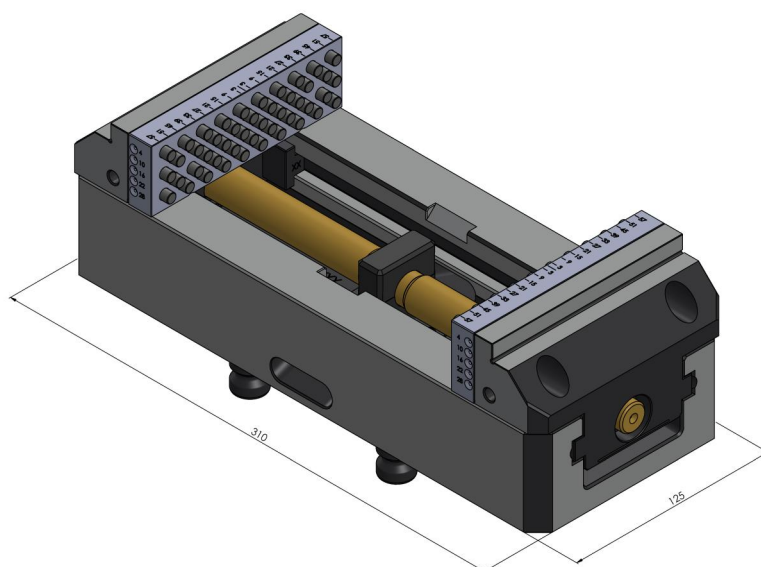
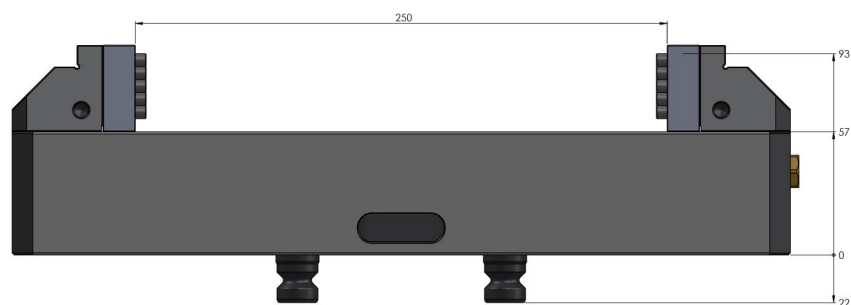


<b>Clamping range</b>	0 - 250 mm (0" - 9.84")
<b>Dimensions</b>	360 x 125 x 97 mm (14.17" x 4.92" x 3.82")
<b>Clamping method</b>	by friction
<b>Workpiece shape</b>	prismatic
<b>Packaging Unit</b>	1 Piece
<b>Weight</b>	17.7 kg (39.02 lbs)
<b>Material</b>	Steel

## Vario-Tec 125, Centering Vice

jaw width 125 mm, max. clamping range 250 mm

Item No. 42252-125



Vario•Tec 125, Centering Vise

jaw width 125 mm, max. clamping range 250 mm

Item No. 42252-125

