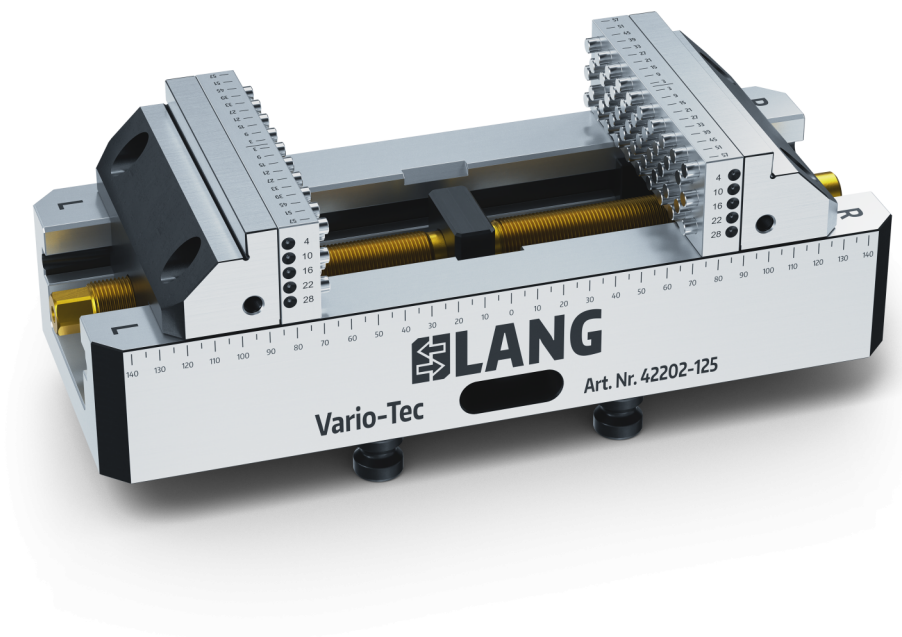


Vario-Tec 125, Centering Vice

jaw width 125 mm, max. clamping range 200 mm

Item No. 42202-125

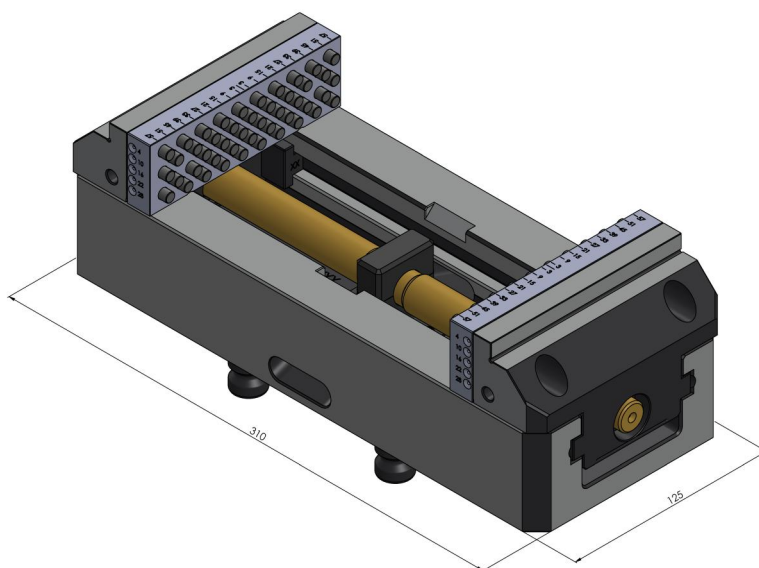
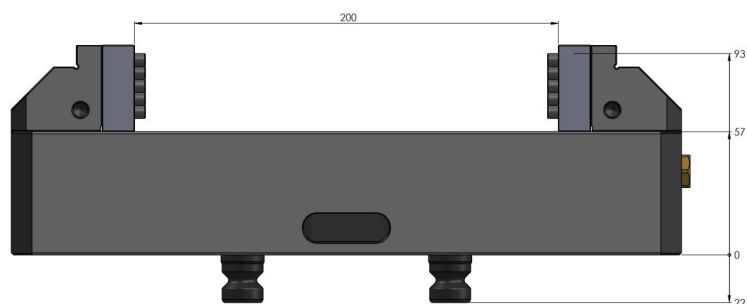


Clamping range	0 - 200 mm (0" - 7.87")
Dimensions	310 x 125 x 97 mm (12.2" x 4.92" x 3.82")
Clamping method	by friction
Workpiece shape	prismatic
Packaging Unit	1 Piece
Weight	15.9 kg (35.05 lbs)
Material	Steel

Vario-Tec 125, Centering Vise

jaw width 125 mm, max. clamping range 200 mm

Item No. 42202-125



Vario•Tec 125, Centering Vise

jaw width 125 mm, max. clamping range 200 mm

Item No. 42202-125

