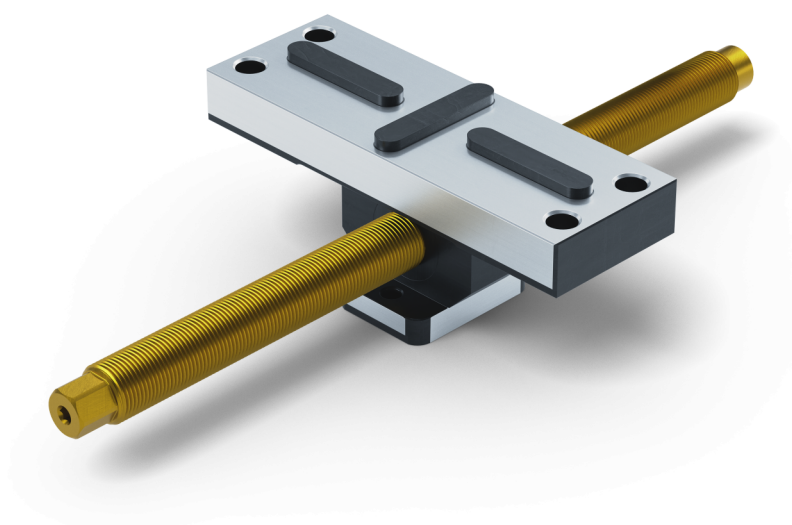


## Profilo 125, Center Jaw + Spindle

jaw width 160 mm, spindle length 314 mm

Item No. 49200-TG125



<b>Spindle length</b>	314 mm (12.36")
<b>Thread pitch</b>	M20 x 1.5
<b>Dimensions</b>	Jaw width: 160 mm (6.3") - Jaw length: 57 mm (2.24")
<b>Screw size</b>	M10
<b>Workpiece shape</b>	prismatic / cylindrical / asymmetrical
<b>Packaging Unit</b>	1 Piece
<b>Weight</b>	2.41 kg (5.31 lbs)
<b>Material</b>	Steel

## Profilo 125, Center Jaw + Spindle

jaw width 160 mm, spindle length 314 mm

Item No. 49200-TG125

