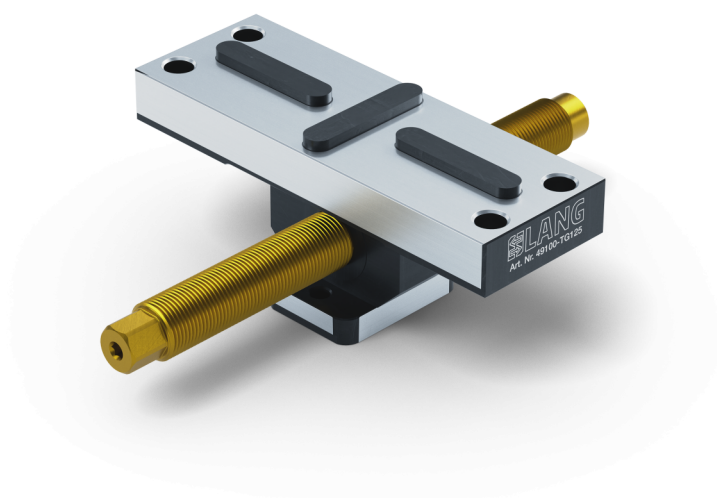


Profilo 125, Center Jaw + Spindle

jaw width 160 mm, spindle length 214 mm

Item No. 49100-TG125



Spindle length	214 mm (8.43")
Thread pitch	M20 x 1.5
Dimensions	Jaw width: 160 mm (6.3") - Jaw length: 57 mm (2.24")
Screw size	M10
Workpiece shape	prismatic / cylindrical / asymmetrical
Packaging Unit	1 Piece
Weight	2.15 kg (4.74 lbs)
Material	Steel

Profilo 125, Center Jaw + Spindle

jaw width 160 mm, spindle length 214 mm

Item No. 49100-TG125

