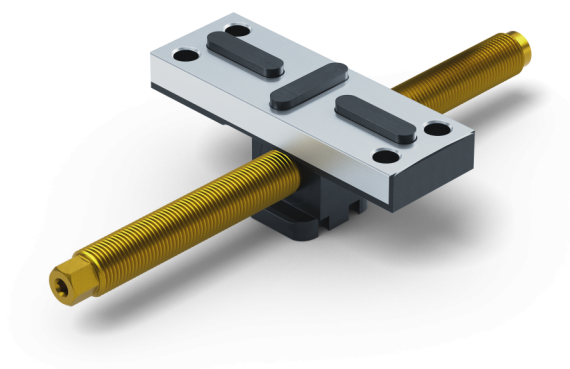


Profilo 77, Center Jaw + Spindle

jaw width 112 mm, spindle length 215 mm

Item No. 49120-TG77



Spindle length	215 mm (8.46")
Thread pitch	M16 x 1.5
Dimensions	Jaw width: 112 mm (4.41") - Jaw length: 46 mm (1.81")
Screw size	M8
Workpiece shape	prismatic / cylindrical / asymmetrical
Packaging Unit	1 Pack
Weight	0.85 kg (1.87 lbs)
Material	Steel

Profilo 77, Center Jaw + Spindle

jaw width 112 mm, spindle length 215 mm

Item No. 49120-TG77

