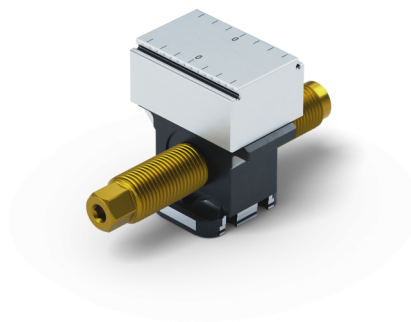


## Makro-Grip® 77, Center Jaw + Spindle

jaw width 46 mm, jaw thickness 27 mm, spindle length  
100 mm

Item No. 48085-TG4627



|                        |                          |
|------------------------|--------------------------|
| <b>Spindle length</b>  | 100 mm (3.94")           |
| <b>Clamping range</b>  | 2 x 30 mm (1.18")        |
| <b>Thread pitch</b>    | M16 x 1.5                |
| <b>Dimensions</b>      | Jaw width: 46 mm (1.81") |
| <b>Workpiece shape</b> | prismatic                |
| <b>Packaging Unit</b>  | 1 Piece                  |
| <b>Weight</b>          | 0.56 kg (1.23 lbs)       |
| <b>Material</b>        | Steel                    |

**Makro-Grip® 77, Center Jaw + Spindle**

jaw width 46 mm, jaw thickness 27 mm, spindle length  
100 mm

Item No. 48085-TG4627

