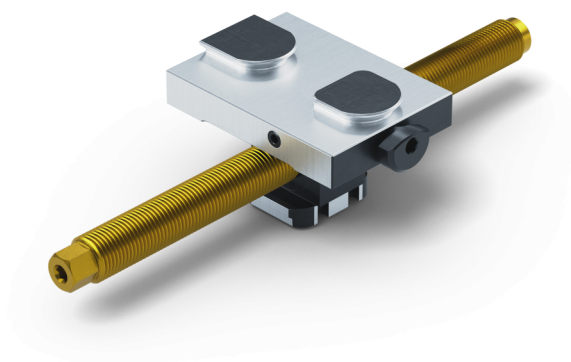


## Avanti 77, Center Base Jaw + Spindle

jaw width 77 mm, spindle length 215 mm

Item No. 44200-TG77



<b>Spindle length</b>	215 mm (8.46")
<b>Thread pitch</b>	M16 x 1.5
<b>Dimensions</b>	Jaw width: 77 mm (3.03")
<b>Workpiece shape</b>	prismatic / cylindrical / asymmetrical
<b>Packaging Unit</b>	1 Piece
<b>Weight</b>	0.9 kg (1.98 lbs)
<b>Material</b>	Steel

## Avanti 77, Center Base Jaw + Spindle

jaw width 77 mm, spindle length 215 mm

Item No. 44200-TG77

