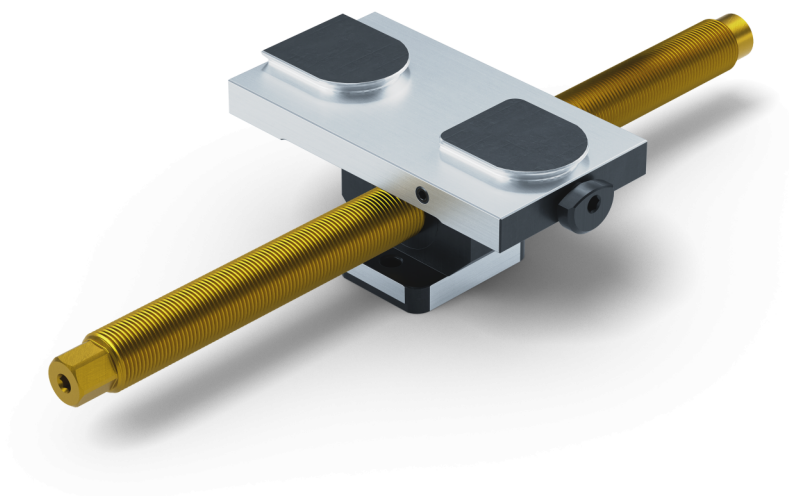


Avanti 125, Center Base Jaw + Spindle

jaw width 125 mm, spindle length 314 mm

Item No. 44305-TG125



Spindle length	314 mm (12.36")
Thread pitch	M20 x 1.5
Dimensions	Jaw width: 125 mm (4.92")
Workpiece shape	prismatic / cylindrical / asymmetrical
Packaging Unit	1 Piece
Weight	2.06 kg (4.54 lbs)
Material	Steel

Avanti 125, Center Base Jaw + Spindle

jaw width 125 mm, spindle length 314 mm

Item No. 44305-TG125

