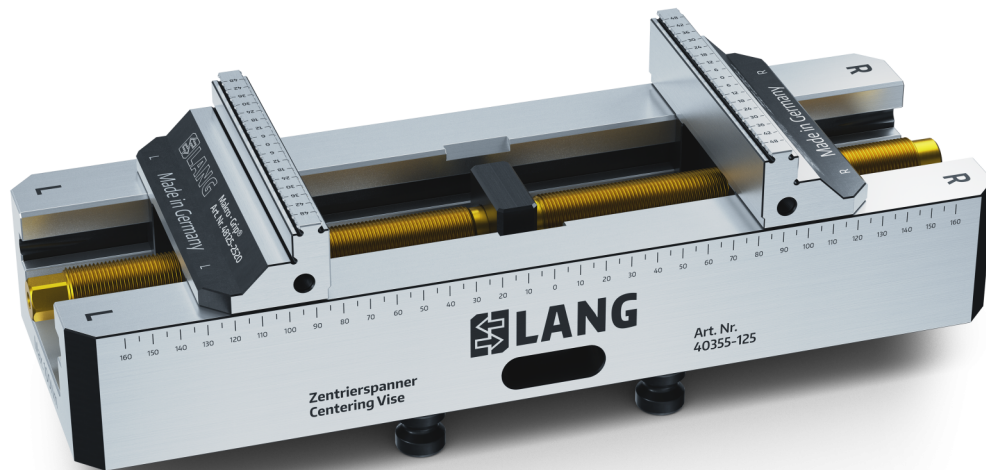


Makro-Grip® 125, 5-Axis Vise

jaw width 125 mm, clamping range 0 - 355 mm

Item No. 48355-125

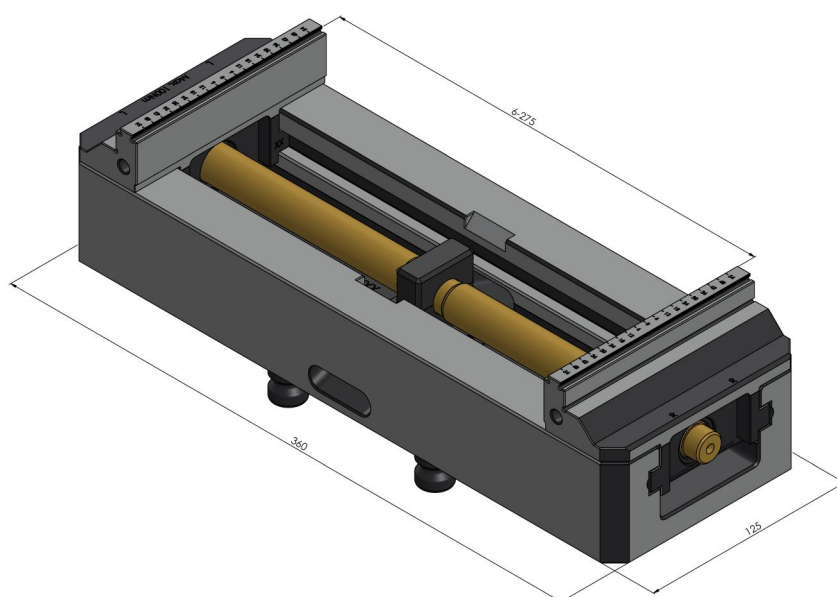
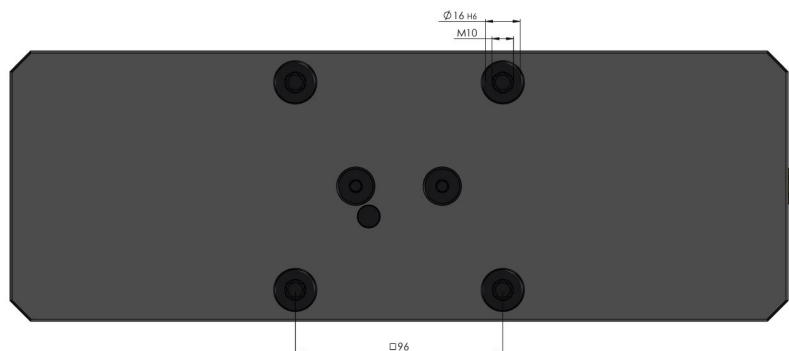


Clamping range	0 - 355 mm (0" - 13.98")
Dimensions	360 x 125 x 89 mm (14.17" x 4.92" x 3.5")
Clamping method	by form-fit / by friction
Workpiece shape	prismatic
Packaging Unit	1 Piece
Weight	15.7 kg (34.61 lbs)
Material	Steel

Makro-Grip® 125, 5-Axis Vise

jaw width 125 mm, clamping range 0 - 355 mm

Item No. 48355-125



Makro-Grip® 125, 5-Axis Vise

jaw width 125 mm, clamping range 0 - 355 mm

Item No. 48355-125

