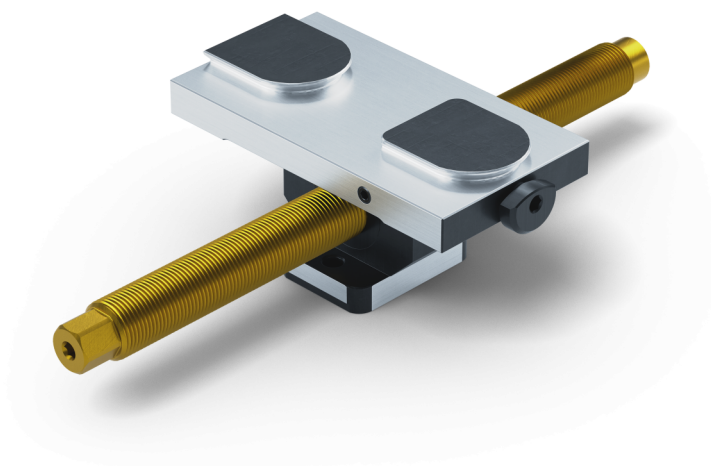


Avanti 125, Center Base Jaw + Spindle

jaw width 125 mm, spindle length 264 mm

Item No. 44255-TG125



Spindle length	264 mm (10.39")
Thread pitch	M20 x 1.5
Dimensions	Jaw width: 125 mm (4.92")
Workpiece shape	prismatic / cylindrical / asymmetrical
Packaging Unit	1 Pack
Weight	1.97 kg (4.34 lbs)
Material	Steel

Avanti 125, Center Base Jaw + Spindle

jaw width 125 mm, spindle length 264 mm

Item No. 44255-TG125

