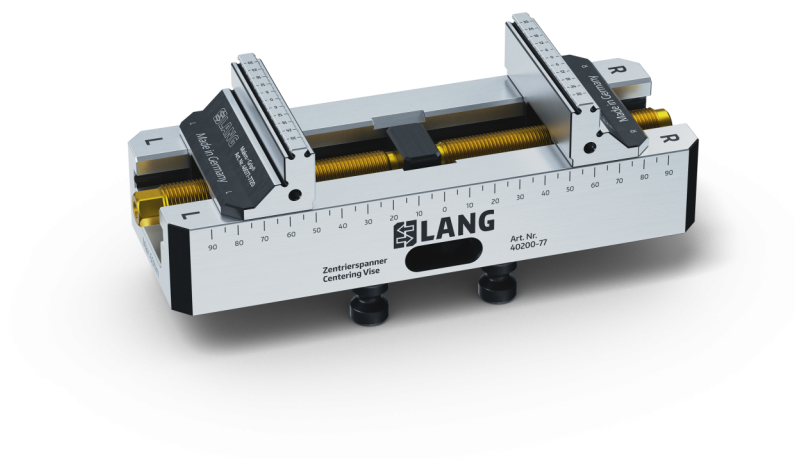


Makro-Grip® 77, 5-Axis Vise

jaw width 77 mm, clamping range 0 - 200 mm

Item No. 48200-77

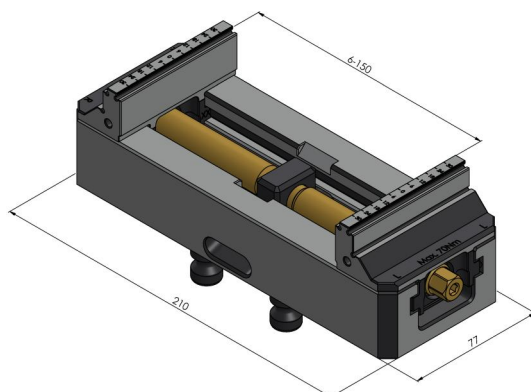
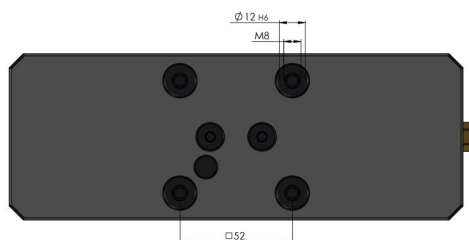


Clamping range	0 - 200 mm (0" - 7.87")
Dimensions	210 x 77 x 65 mm (8.27" x 3.03" x 2.56")
Clamping method	by friction
Workpiece shape	prismatic
Packaging Unit	1 Piece
Weight	4.2 kg (9.26 lbs)
Material	Steel

Makro-Grip® 77, 5-Axis Vise

jaw width 77 mm, clamping range 0 - 200 mm

Item No. 48200-77



Makro-Grip® 77, 5-Axis Vise

jaw width 77 mm, clamping range 0 - 200 mm

Item No. 48200-77

