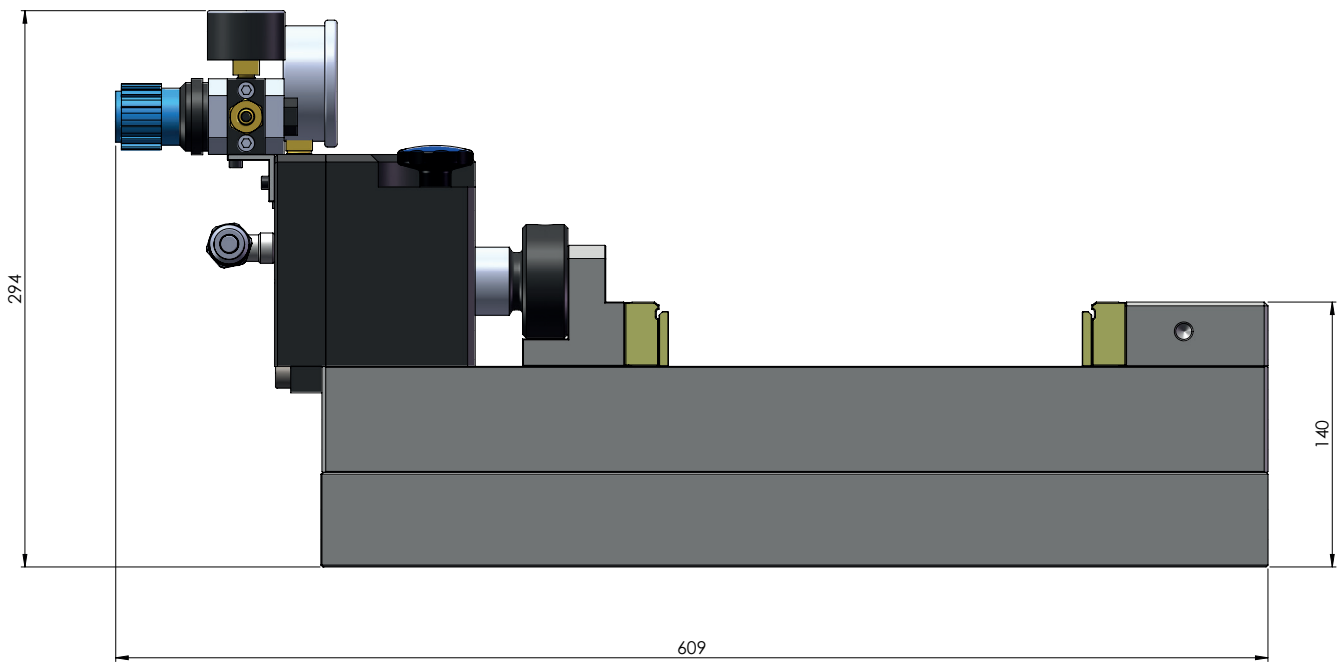


ITEM NO.	41200-HE
DESCRIPTION	Makro-Grip®, Stamping Unit, Standard, with high-end stamping jaws
ISSUE DATE	04.05.2021

Page 1 / 2



ITEM NO.	41200-HE
DESCRIPTION	Makro-Grip®, Stamping Unit, Standard, with high-end stamping jaws
ISSUE DATE	04.05.2021

Page 2 / 2